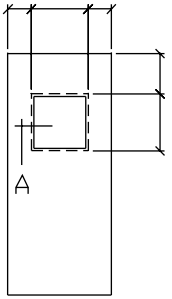


NOTE: THESE DRAWINGS ARE ISSUED FOR GENERAL INFORMATION ONLY AND ARE NOT INTENDED FOR MODIFICATION. FOR FURTHER INFORMATION PLEASE CONSULT OUR SALES OR ENGINEERING DEPARTMENTS.

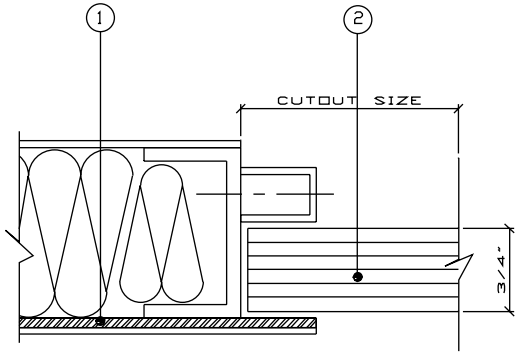
LEGEND

1. ARMOUR SHIELD LEVEL 1
 2. ARMOUR SHIELD 3/4" THICK GLASS LEVEL 1, FACTORY INSTALLED.
- IF GLASS IS SUPPLIED BY OTHERS FOR SITE INSTALLATION, CUSTOMER MUST ENSURE THAT THE GLASS HAS BEEN TESTED AND IS CERTIFIED UNDER UL 752.

NOTE: - THE SIZES SHOWN IN THE ELEVATION REFER TO THE DOOR CUTOUT SIZE. THE MINIMUM SIZE GLASS IS 12" x 12" (GLASS IS NOT AVAILABLE IN A DIMENSION LESS THAN 12")



ELEVATION



SECTION 'A'

OUR STOCK OPTIONS
 STOCK DOORS ARE AVAILABLE WITH A 12 3/8"x12 3/8" CUTOUT TO RECEIVE 12"x12" BULLET RESISTANT GLASS TO UL 752 LEVEL 1. THE GLASS WILL BE FACTORY INSTALLED.