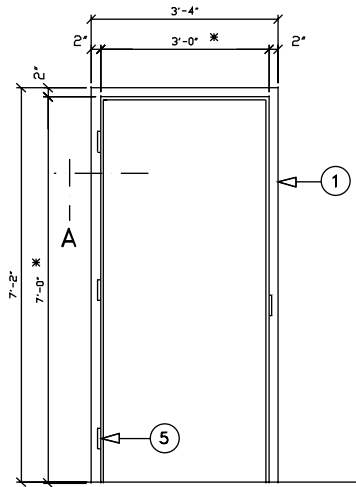


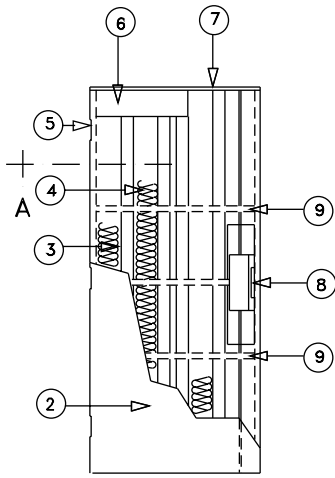
NOTE: THESE DRAWINGS ARE ISSUED FOR GENERAL INFORMATION ONLY AND ARE NOT INTENDED FOR MODIFICATION. FOR FURTHER INFORMATION PLEASE CONSULT OUR SALES OR ENGINEERING DEPARTMENTS.

LEGEND

1. FULLY WELDED BLAST RESISTANT STEEL FRAME
2. REINFORCED BLAST RESISTANT STEEL DOOR
3. PROPRIATARY BLAST RESISTANT DOOR CORE
4. SEMI-RIGID FIBERGLASS INSULATION TO FILL ALL VOIDS
5. REINFORCE FOR MORTISE HINGES. (SEE CHART)
6. REINFORCE FOR SURFACE APPLIED CLOSER.
7. INVERTED CHANNELS TO CLOSE TOP & BOTTOM OF DOOR.
8. REINFORCE FOR EXTRA HEAVY DUTY MULTI POINT MORTISE LOCK AND STRIKE (SEE CHART)
9. QUANTITY OF HORIZONTAL AND VERTICAL STRUCTURAL MEMBERS VARIES IN ACCORDANCE WITH PRESSURE LEVEL AND SIZE.



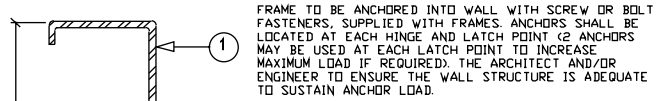
FRAME ELEVATION



DOOR ELEVATION

OPENING WIDTH (INCHES)	OPENING HEIGHT (INCHES)	BLAST RESISTANT DOOR HARDWARE CHART			
		UP TO 84	>84-90	>90-108	>108-120
UP TO 36	WEIGHT (LBS) HINGES	170 QTY.3-SUPER HD	185 QTY.3-SUPER HD	235 QTY.3-SUPER HD	300 QTY.3-SUPER HD
	LATCHES	5-POINT MORTISE LOCK	5-POINT MORTISE LOCK	5-POINT MORTISE LOCK	6-POINT MORTISE LOCK
>36-42	WEIGHT (LBS)	210 QTY.3-SUPER HD	220 QTY.3-SUPER HD	270 QTY.3-SUPER HD	330 QTY.3-SUPER HD
		5-POINT MORTISE LOCK	6-POINT MORTISE LOCK	6-POINT MORTISE LOCK	6-POINT MORTISE LOCK
>42-48	WEIGHT (LBS)	250 QTY.3-SUPER HD	255 QTY.3-SUPER HD	335 QTY.3-SUPER HD	390 QTY.3-SUPER HD
		6-POINT MORTISE LOCK	6-POINT MORTISE LOCK	7-POINT MORTISE LOCK	7-POINT MORTISE LOCK
>48-55	WEIGHT (LBS)	330 QTY.3-SUPER HD	340 QTY.3-SUPER HD	405 QTY.3-SUPER HD	500 QTY.3-SUPER HD
		6-POINT MORTISE LOCK	6-POINT MORTISE LOCK	7-POINT MORTISE LOCK	7-POINT MORTISE LOCK

NOTE:
ASSEMBLY TO MEET WITH ASTM E-330 TEST PROCEDURE.



SECTION 'A'

* SIZES OTHER THAN THOSE SHOWN, MAY RESULT IN CHANGES TO DOOR DESIGN.

BLAST RESISTANT SINGLE DOOR & FRAME - 5 P.S.I.

JOB NO: _____
SHEET: _____ OF: _____