

NOTE: THESE DRAWINGS ARE ISSUED FOR GENERAL INFORMATION ONLY AND ARE NOT INTENDED FOR MODIFICATION. FOR FURTHER INFORMATION PLEASE CONSULT OUR SALES OR ENGINEERING DEPARTMENTS.

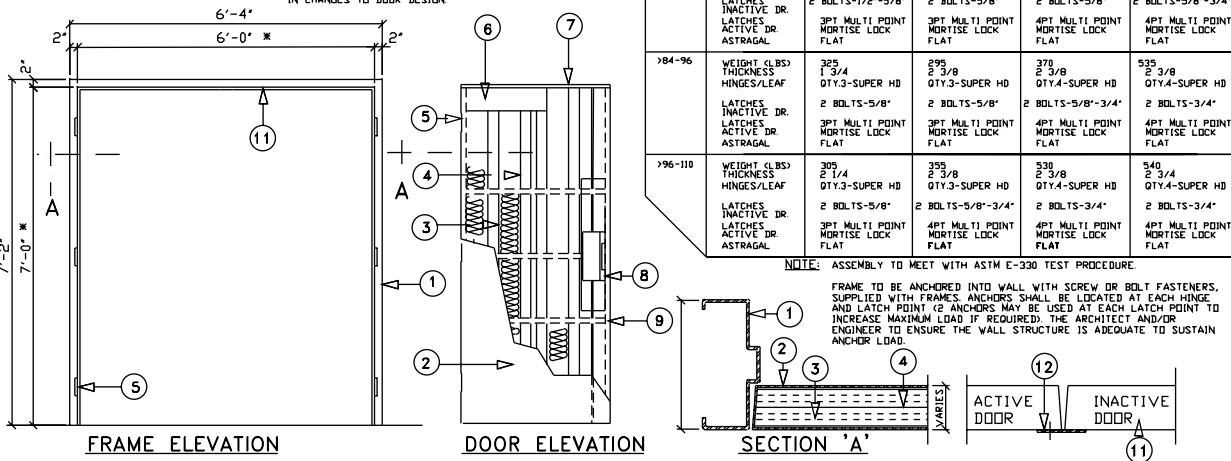
LEGEND

1. FULLY WELDED BLAST RESISTANT STEEL FRAME
 2. REINFORCED BLAST RESISTANT STEEL DOOR
 3. PROPRIETARY BLAST RESISTANT DOOR CORE
 4. SEMI-RIGID FIBERGLASS INSULATION TO FILL ALL VOIDS
 5. REINFORCE FOR MORTISE HINGES
 6. REINFORCE FOR MORTISE LATCHES
 7. REINFORCE FOR SURFACE APPLIED CLOSER
 8. REINFORCE FOR EXTRA HEAVY DUTY MULTI POINT MORTISE LOCK AND STRIKE (SEE CHART)
 9. QUANTITY OF HORIZONTAL AND VERTICAL STRUCTURAL MEMBERS VARIES IN ACCORDANCE WITH PRESSURE LEVEL AND SIZE.
 10. REINFORCE INACTIVE DOOR AND FRAME FOR HEAVY DUTY FLUSH BOLTS (SEE CHART FOR DIA.)
 11. ASTRAGAL ATTACHED TO ACTIVE DOOR
- * SIZES OTHER THAN THOSE SHOWN, MAY RESULT IN CHANGES TO DOOR DESIGN.

OPENING WIDTH (INCHES)	OPENING HEIGHT (INCHES)	BLAST RESISTANT DOOR HARDWARE CHART			
		UP TO 84	>84-90	>90-108	>108-120
55-72	WEIGHT (LBS) THICKNESS HINGES/LEAF 195 1 3/4 QTY.3-SUPER HD	240 1 3/4 QTY.3-SUPER HD	310 2 1/4 QTY.4-SUPER HD	340 2 1/4 QTY.4-SUPER HD	
	LATCHES INACTIVE DR. LATCHES ACTIVE DR. ASTRAGAL	2 BOLTS-1/2"-5/8"	2 BOLTS-1/2"-5/8"	2 BOLTS-5/8"	
		3PT MULTI POINT MORTISE LOCK FLAT	3PT MULTI POINT MORTISE LOCK FLAT	4PT MULTI POINT MORTISE LOCK FLAT	
>72-84	WEIGHT (LBS) THICKNESS HINGES/LEAF 280 1 3/4 QTY.3-SUPER HD	310 1 3/4 QTY.3-SUPER HD	335 2 1/4 QTY.4-SUPER HD	410 2 1/4 QTY.4-SUPER HD	
	LATCHES INACTIVE DR. LATCHES ACTIVE DR. ASTRAGAL	2 BOLTS-1/2"-5/8"	2 BOLTS-5/8"	2 BOLTS-5/8"-3/4"	
		3PT MULTI POINT MORTISE LOCK FLAT	3PT MULTI POINT MORTISE LOCK FLAT	4PT MULTI POINT MORTISE LOCK FLAT	
>84-96	WEIGHT (LBS) THICKNESS HINGES/LEAF 325 1 3/4 QTY.3-SUPER HD	295 2 3/8 QTY.3-SUPER HD	378 2 3/8 QTY.4-SUPER HD	535 2 3/8 QTY.4-SUPER HD	
	LATCHES INACTIVE DR. LATCHES ACTIVE DR. ASTRAGAL	2 BOLTS-5/8"	2 BOLTS-5/8"-3/4"	2 BOLTS-3/4"	
		3PT MULTI POINT MORTISE LOCK FLAT	3PT MULTI POINT MORTISE LOCK FLAT	4PT MULTI POINT MORTISE LOCK FLAT	
>96-110	WEIGHT (LBS) THICKNESS HINGES/LEAF 305 2 1/4 QTY.3-SUPER HD	355 2 3/8 QTY.3-SUPER HD	530 2 3/8 QTY.4-SUPER HD	540 2 3/4 QTY.4-SUPER HD	
	LATCHES INACTIVE DR. LATCHES ACTIVE DR. ASTRAGAL	2 BOLTS-5/8"	2 BOLTS-5/8"-3/4"	2 BOLTS-3/4"	
		3PT MULTI POINT MORTISE LOCK FLAT	3PT MULTI POINT MORTISE LOCK FLAT	4PT MULTI POINT MORTISE LOCK FLAT	

NOTE: ASSEMBLY TO MEET WITH ASTM E-330 TEST PROCEDURE.

FRAME TO BE ANCHORED INTO WALL WITH SCREW OR BOLT FASTENERS, SUPPLIED WITH FRAMES. ANCHORS SHALL BE LOCATED AT EACH HINGE AND LATCH POINT (2 ANCHORS MAY BE USED AT EACH LATCH POINT TO INCREASE MAXIMUM LOAD IF REQUIRED). THE ARCHITECT AND/OR ENGINEER TO ENSURE THE WALL STRUCTURE IS ADEQUATE TO SUSTAIN ANCHOR LOAD.



FRAME ELEVATION

DOOR ELEVATION

SECTION 'A'

ACTIVE DOOR INACTIVE DOOR

BLAST RESISTANT DOUBLE DOORS & FRAME - 4 P.S.I.

JOB NO: _____
SHEET: _____ OF: _____