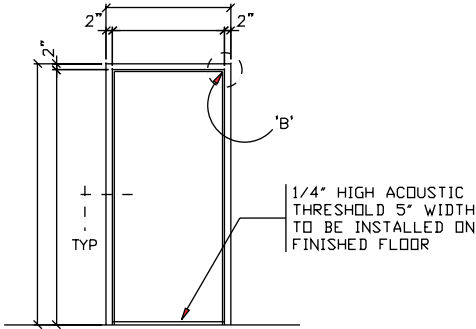
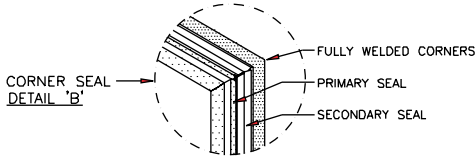
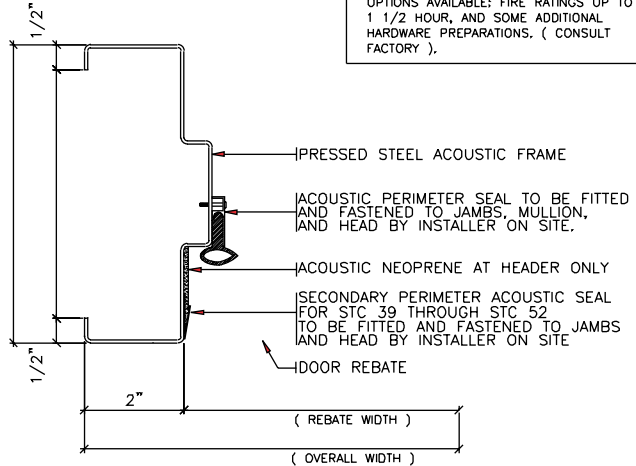


NOTE: THESE DRAWINGS ARE ISSUED FOR GENERAL INFORMATION ONLY AND ARE NOT INTENDED FOR MODIFICATION. FOR FURTHER INFORMATION PLEASE CONSULT OUR SALES OR ENGINEERING DEPARTMENTS.

STOCK ACOUSTIC FRAMES FOR PAIRED OPENINGS, AVAILABLE IN STC-33 THROUGH STC 51, STOCK FRAME SIZE IS 6'-0"x7'-0" TO FIT 1-3/4" DOOR, WITH A JAMB DEPTH OF 5-3/4" OR 7-1/8" ONLY. FRAME IS TEMPLATED FOR 4.5"x.180" MORTISED HINGES, AND REINFORCED FOR SURFACE CLOSER AND SURFACE BOLTS. COMPLETE DOOR AND FRAME UNITS ARE SUPPLIED WITH ACOUSTIC PERIMETER SEALS, DOOR BOTTOMS, THRESHOLD & ASTRAGAL (ON ACTIVE) OPTIONS AVAILABLE; FIRE RATINGS UP TO 1 1/2 HOUR, AND SOME ADDITIONAL HARDWARE PREPARATIONS. (CONSULT FACTORY).



NOTE: FRAME MUST BE INSTALLED AT FINISHED FLOOR HEIGHT (DO NOT EMBED IN FLOOR)



TYPICAL JAMB SECTION

TYPICAL ACOUSTIC SINGLE FRAME AND PERIMETER SEALS FROM STC 33 THROUGH STC 52

JOB NO: _____
SHEET: _____ OF: _____