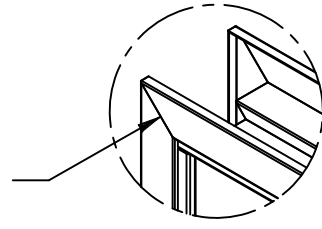


ELEVATION

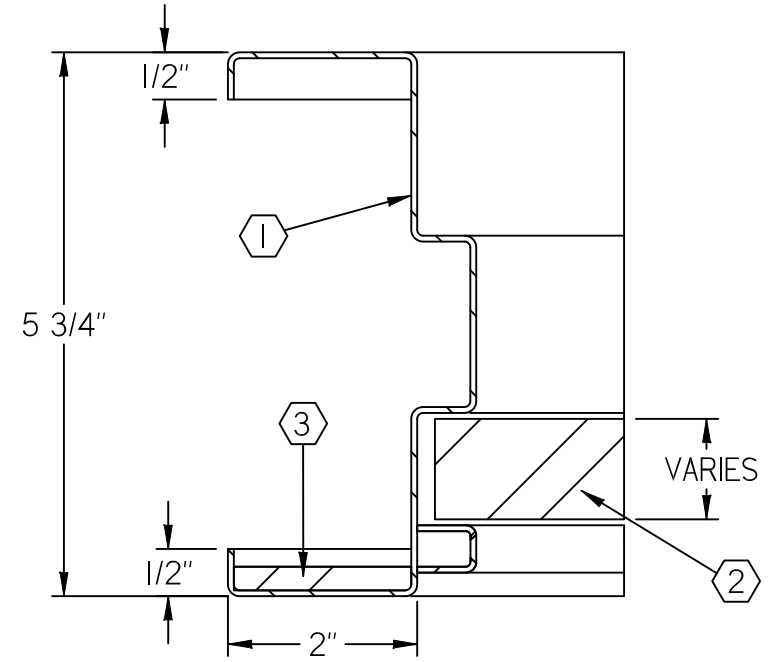


LEGEND:

- 1. PRESSED STEEL BULLET RESISTANT FRAME.
- 2. BULLET RESISTANT GLASS TO UL 752 BY AMBICO.
- 3. ARMOUR SHIELD PLATE TO UL752 LEVEL ---.

NOTE

GLASS THICKNESS CHANGES WITH BULLET RATING.



SECTION A-A