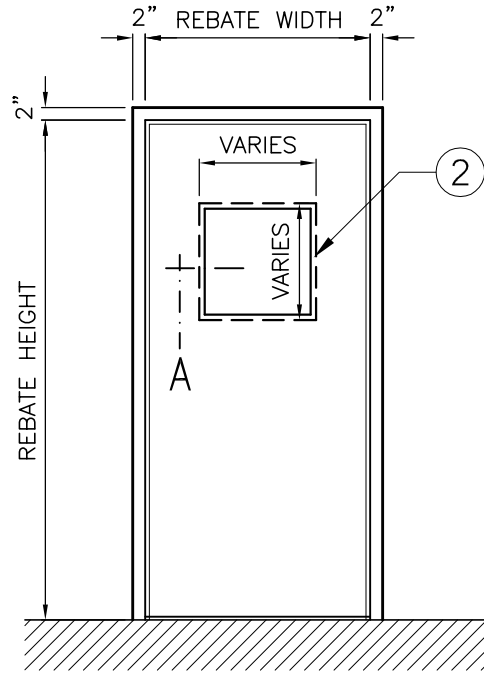


LEGEND:

1. ARMOUR SHIELD LEVEL 1.
2. ARMOUR SHIELD 21/32" MAXIMUM THICK GLASS LEVEL 1, FACTORY INSTALLED.

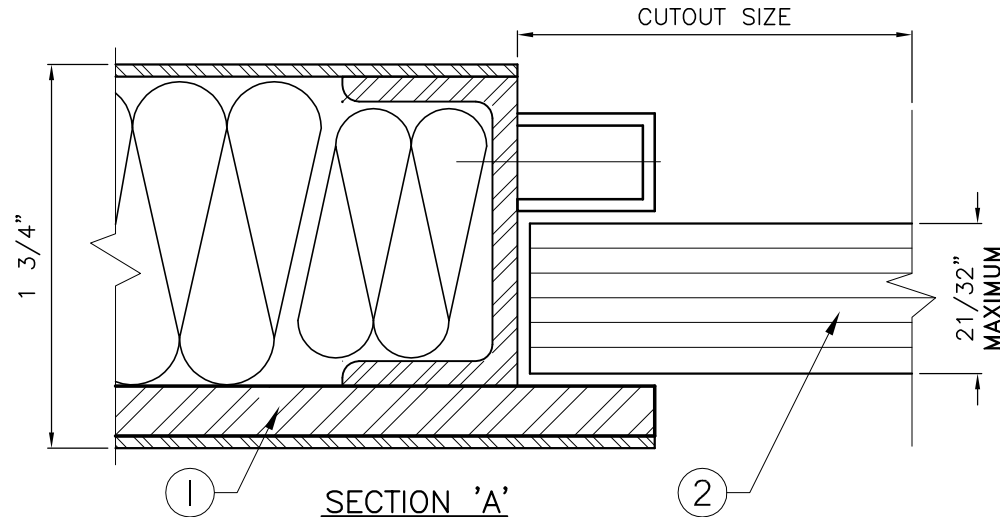
NOTE:

IF GLASS IS SUPPLIED BY OTHERS FOR SITE INSTALLATION, CUSTOMER MUST ENSURE THAT THE GLASS HAS BEEN TESTED AND IS CERTIFIED UNDER UL 752.



ELEVATION

NOTE: – THE SIZES SHOWN IN THE ELEVATION REFER TO THE DOOR CUTOUT SIZE.



SECTION 'A'

NOTE:
FRAME MUST BE INSTALLED AT FINISHED FLOOR HEIGHT.
(DO NOT EMBED IN FLOOR)

OUR STOCK OPTIONS

STOCK DOORS ARE AVAILABLE AT 3'-0" x 7'-0" WITH A 12 3/8"x12 3/8" CUTOUT TO RECEIVE 12"x12" BULLET RESISTANT GLASS TO UL 752 LEVEL 1. THE GLASS WILL BE FACTORY INSTALLED.