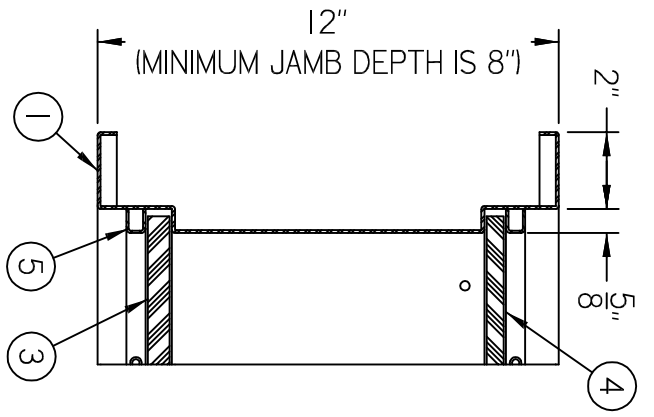


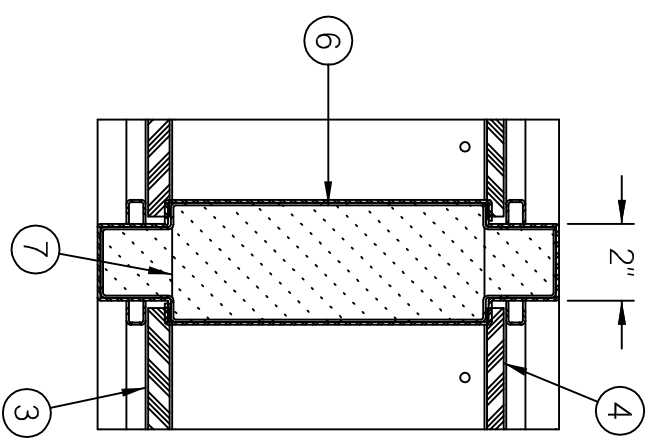
ELEVATION

- LEGEND:
1. ACOUSTIC STEEL FRAME.
  2. PURGING PORTS (4 PLACES).
  3. CLEAR LAMINATED GLASS.
  4. CLEAR LAMINATED GLASS.
  5. REMOVABLE BEADS.
  6. ACOUSTIC LINING.
  7. CAVITY FILLING.

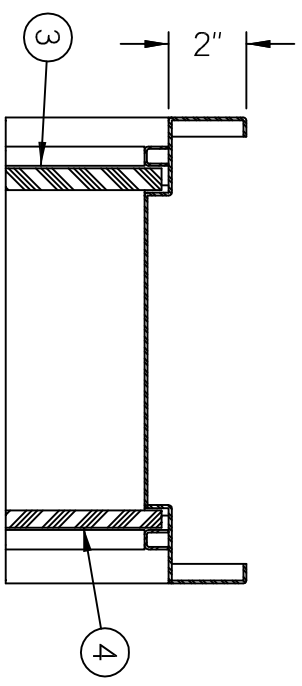
NOTE: ACOUSTIC STEEL BORROWED LITES CAN BE ENLARGED IN SIZE - CONSULT FACTORY



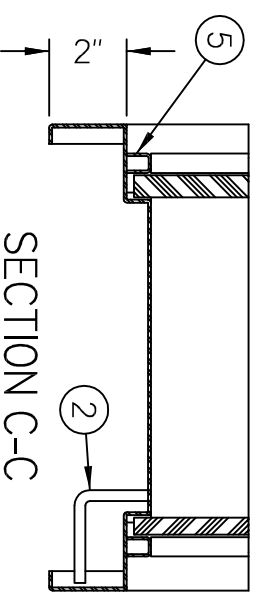
SECTION A-A



SECTION B-B



SECTION D-D



SECTION C-C

ACOUSTIC STEEL BORROWED LITE (2 BANK) UNIT STC- 50