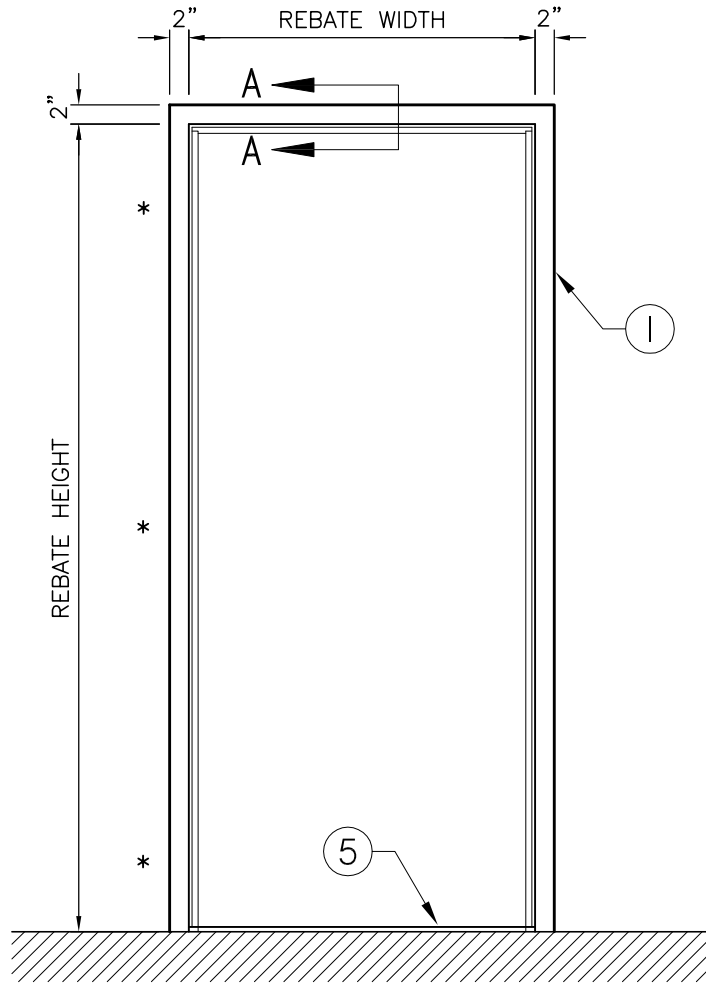
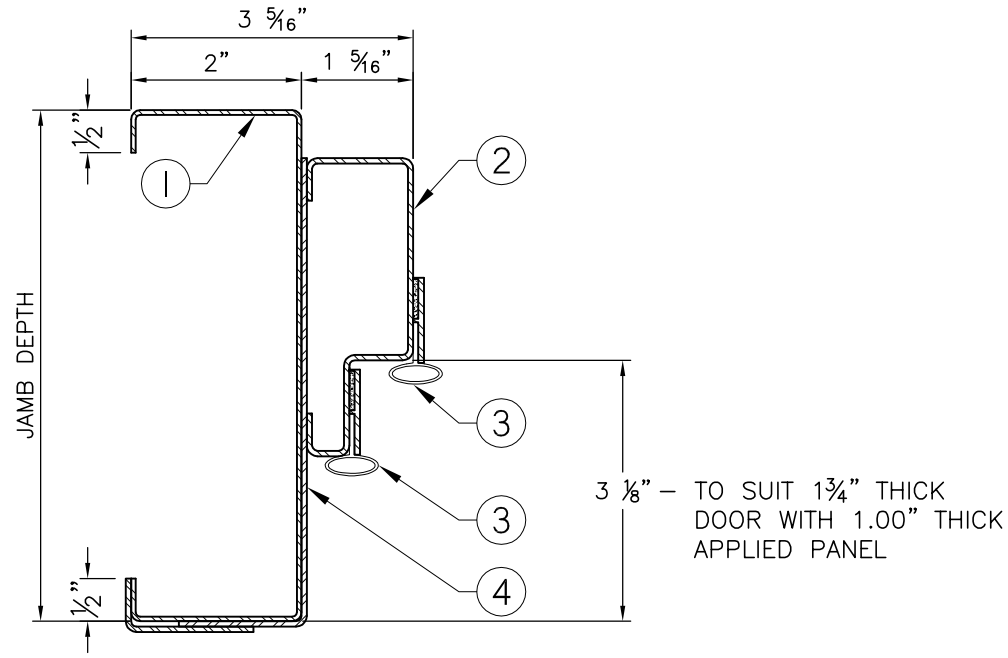


LEGEND:

1. CASE OPEN BASE FRAME.
2. PLANTED STOP TO BE FIXED TO CASE OPEN BASE FRAME WITH COUNTERSUNK SCREWS.
3. ACOUSTIC PERIMETER SEALS TO BE FITTED AND FASTENED TO JAMBS AND HEAD ON SITE.
4. ACOUSTIC SEALS TO EXTEND BENEATH PLANTED STOP AND CLAMPED AT FACTORY TO FRAME FACE WITH ANGLE.
5. ¼" HIGH FLAT ACOUSTIC THRESHOLD 5" WIDTH, TO BE INSTALLED ON FINISHED FLOOR.



ELEVATION



SECTION A-A

NOTES:

- FRAME MUST BE INSTALLED AT FINISHED FLOOR.
(DO NOT EMBED JAMB IN FLOOR).
- * FRAME TO BE PREPARED FOR CAM-LIFT HINGES.