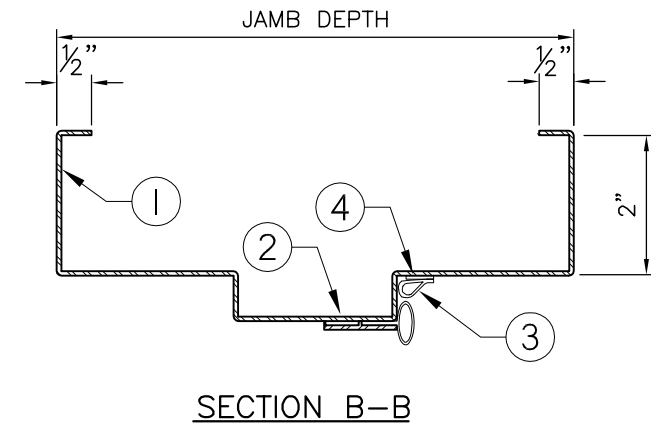


LEGEND :

1. PRESSED STEEL ACOUSTIC FRAME.
2. FIRE RATED PERIMETER SYNPRENE SEAL SHIPPED BY AMBICO, INSTALLED ON SITE BY OTHERS.
3. PERIMETER SMOKE SEAL, SHIPPED BY AMBICO, INSTALLED ON SITE BY OTHERS.
4. INTUMESCENT STRIP, SHIPPED BY AMBICO, INSTALLED ON SITE BY OTHERS.
5. HINGES, BY OTHERS.
6. INTUMESCENT HINGE PROTECTION , SHIPPED BY AMBICO, INSTALLED ON SITE BY OTHERS.
7. HINGE REINFORCEMENT, FACTORY WELDED IN FRAME.
8. 1/4" HIGH FLAT ACOUSTIC THRESHOLD 5" WIDTH, TO BE INSTALLED ON FINISHED FLOOR.



NOTES :
 - FRAME MUST BE INSTALLED AT FINISHED FLOOR HEIGHT.
 (DO NOT EMBED IN FLOOR).